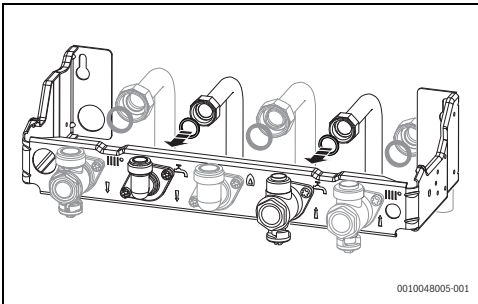
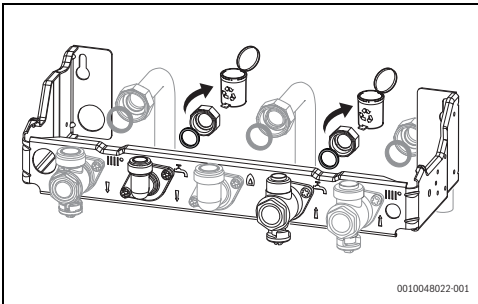


1



[en] Important notes on installation/assembly

The installation/assembly must be carried out by a qualified contractor, following these instructions and in compliance with the applicable regulations. Noncompliance with specifications can result in material damage and/or personal injury or fatality.

- ▶ Check that the contents of the delivery are undamaged.
Only fit undamaged parts.
- ▶ Follow the applicable instructions for the other system components, accessories and spare parts.
- ▶ Before starting any work: disconnect the system from the power supply across all phases.
- ▶ Install all parts described for the device concerned.
- ▶ Do not reuse any parts that have already been fitted and replaced.
- ▶ Perform the required adjustments, functional tests and safety tests.
- ▶ Test any joints that carry gas, flue gas, water or oil for leaks.
- ▶ Document any alterations made.



Original Quality by Bosch Thermotechnik GmbH
Sophienstrasse 30-32
35576 Wetzlar, Germany

GB importer: Bosch Thermotechnology Ltd.
Cotswold Way, Warndon
Worcester WR4 9SW, United Kingdom